

4

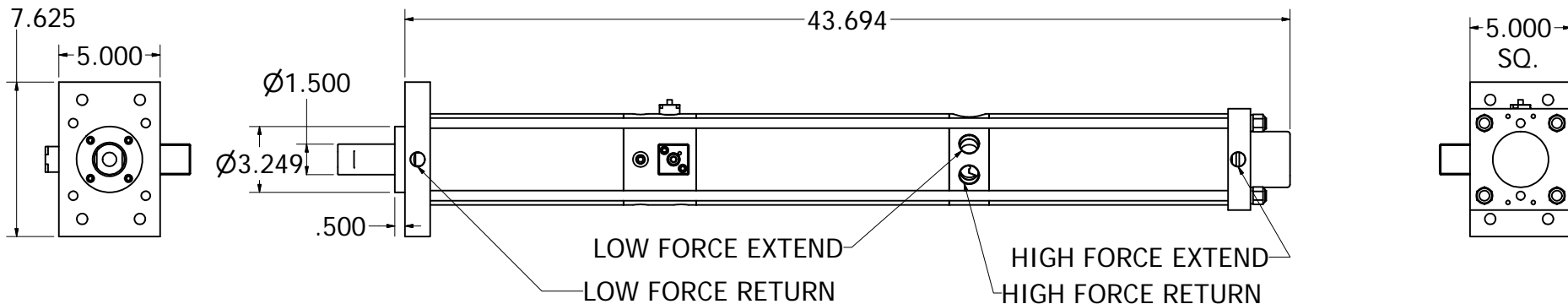
3

2

1

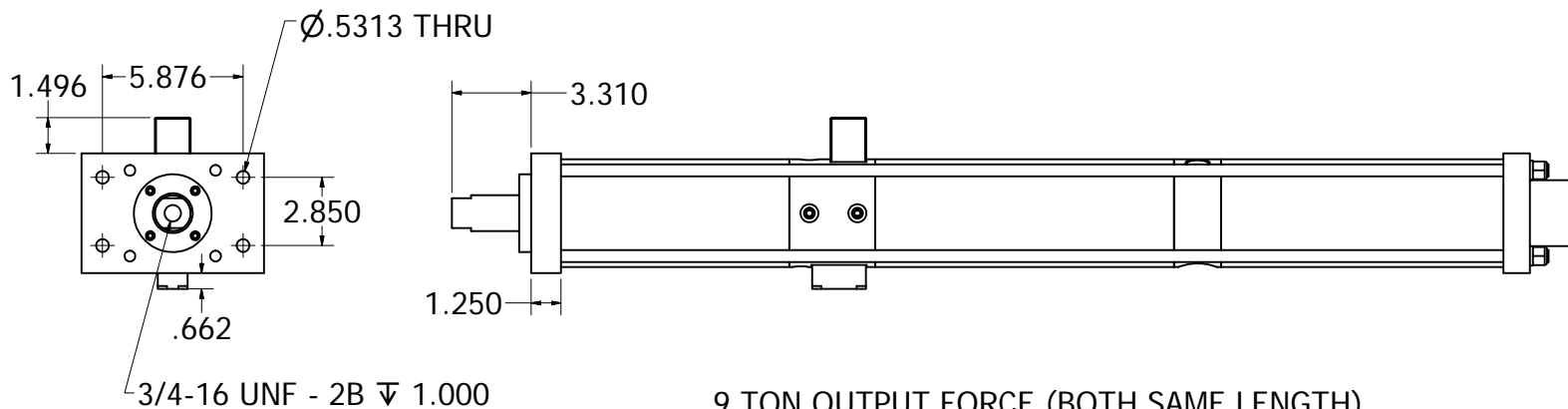
D

D



C

C



B

B

B

B

THIS DRAWING CONFORMS TO THE
ORDER REQUIREMNETS OF OUR PO#

9 TON OUTPUT FORCE (BOTH SAME LENGTH)
6.00 INCHES TOTAL STROKE INCLUDING 0.500 INCH POWER STROKE
3.50 INCHES TOTAL STROKE INCLUDING 0.500 INCH POWER STROKE

PORTS - 1/2 NPT
DATE

APPROVAL SIGNATURE

- Notes
1. REMOVE ALL: BURRS & POLISH ALL SHARP EDGES
2. ALL SPECIFIED TOLERANCES ARE CRITICAL,
ALL OTHERS +/-0.005

DRAWN Nick Sallinen	8/20/2009	POWER PRODUCTS INC.
CHECKED Nick Sallinen	8/20/2009	PROJECT 8 NMK 9 TON
DRAWING REV.	A	TITLE 9 TON RATIO 201:1
MODEL REV.	A	AS 7NMK9T6TS500PS-SignOff-Draw-RevA SHEET 1 OF 1

4

3

2

1

A

A