

4

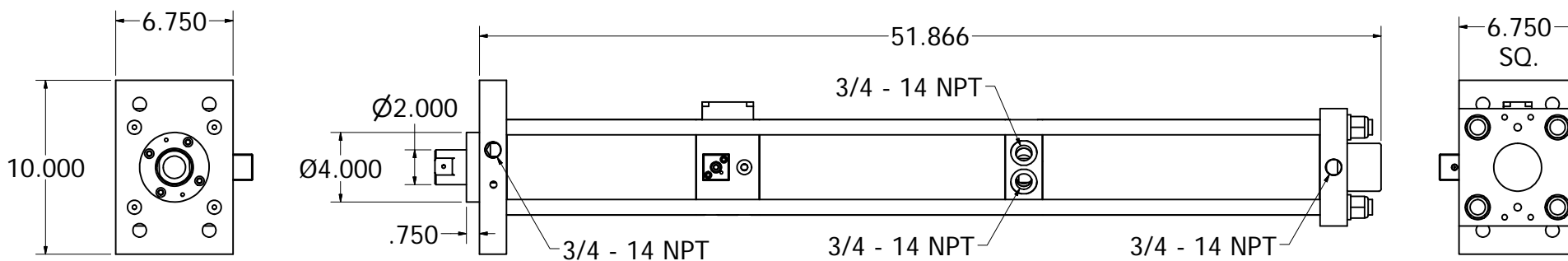
3

2

1

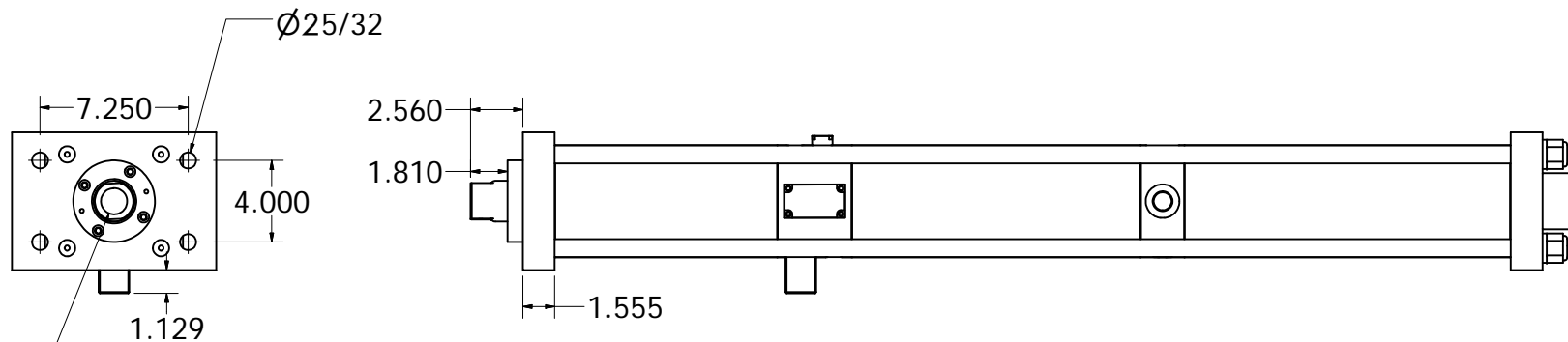
D

D



C

C



B

B

A

A

490:1 RATIO 20 TON OUTPUT FORCE
 6.00 INCHES TOTAL STROKE INCLUDING 0.500 INCH POWER STROKE
 AIR PRESSURE MAX 120 PSI; MIN 60 PSI
 29,450-58,900 LBS FORCE

THIS DRAWING CONFORMS TO THE
 ORDER REQUIREMENTS OF OUR PO#

PORTS - 3/4 NPT

DATE

APPROVAL SIGNATURE

POWER PRODUCTS INC.
 97 AIRPORT RD BOX 17
 PARRY SOUND, ONT
 P2A 2W8 CANADA
 TEL 705-378-9090
 FAX 705-378-9191

Notes

1. REMOVE ALL: BURRS & POLISH ALL SHARP EDGES
2. ALL SPECIFIED TOLERANCES ARE CRITICAL, ALL OTHERS +/-0.005

DRAWN Nick Sallinen	8/12/2009	POWER PRODUCTS INC.
CHECKED Nick Sallinen	8/12/2009	PROJECT 8 NMK 20T 6"TS .500"PS
DRAWING REV. A		TITLE 20 Ton Ratio 490:1
MODEL REV. A		AS8NMK20T6TS500PS-Signoff-Draw-RevA SHEET 1 OF 1

4

3

2

1

1

A

A