

4

3

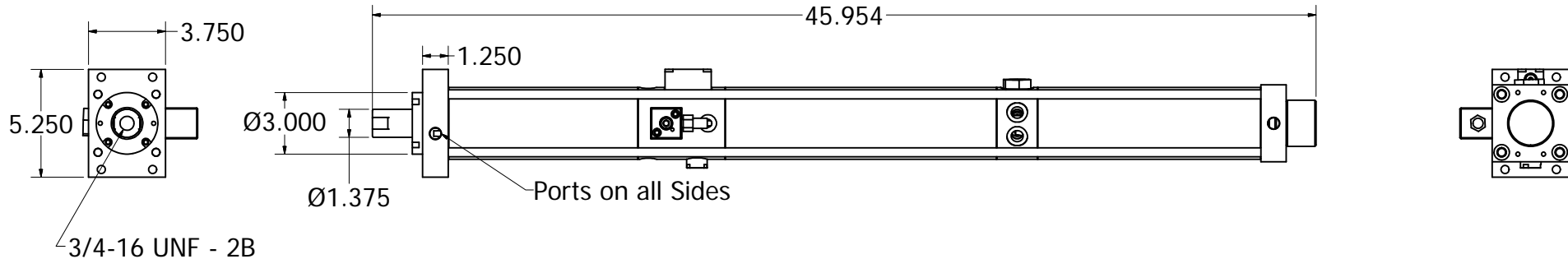
↓

2

1

D

D

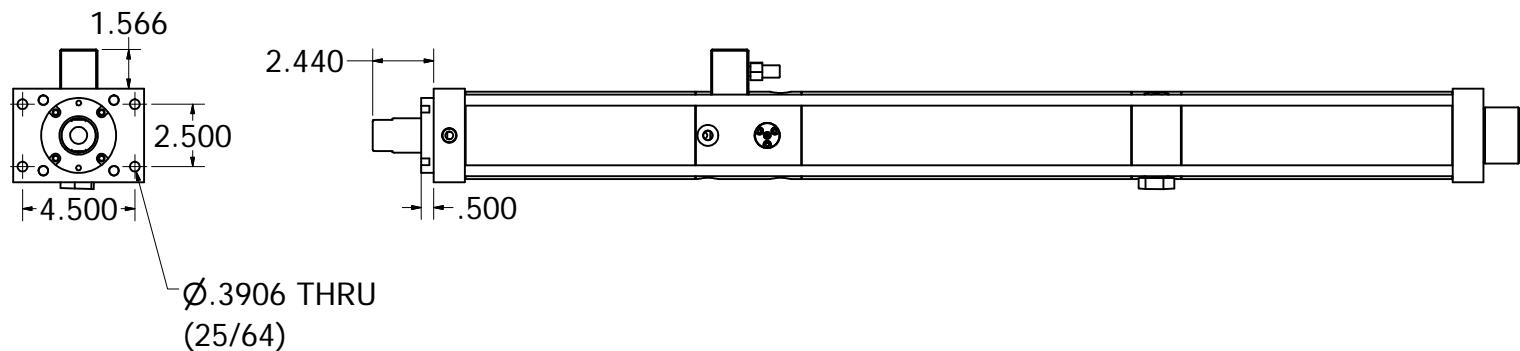


C

C

↗

↘



B

B

THIS DRAWING CONFORMS TO THE  
ORDER REQUIREMENTS OF OUR PO#

113:1 RATIO 5 TONS OUTPUT  
6.0 INCH TOTAL STROKE, INCLUDING THE 0.50 POWER STROKE  
AIR PRESSURE MAX 120 PSI MIN 60 PSI  
6,750-13,500 LBS FORCE

PORTS - 3/8 NPT  
DATE

APPROVAL SIGNATURE

POWER PRODUCTS INC.  
97 AIRPORT RD BOX 17  
PARRY SOUND, ONT  
P2A 2W8 CANADA  
TEL 705-378-9090  
FAX 705-378-9191

- Notes  
1. REMOVE ALL: BURRS & POLISH ALL SHARP EDGES  
2. ALL SPECIFIED TOLERANCES ARE CRITICAL,  
ALL OTHERS +/-0.005

DRAWN Nick Sallinen		10/22/2009	POWER PRODUCTS INC.
CHECKED Nick Sallinen		5/7/2010	PROJECT <b>8 NMK 5T 6TS .50PS</b>
DRAWING REV.		A	TITLE <b>Assembly</b>
MODEL REV.		A	As 8NMK 5T 6TS .5PS Signoff
			SHEET 1 OF 1

4

3

↑

2

1

A

A