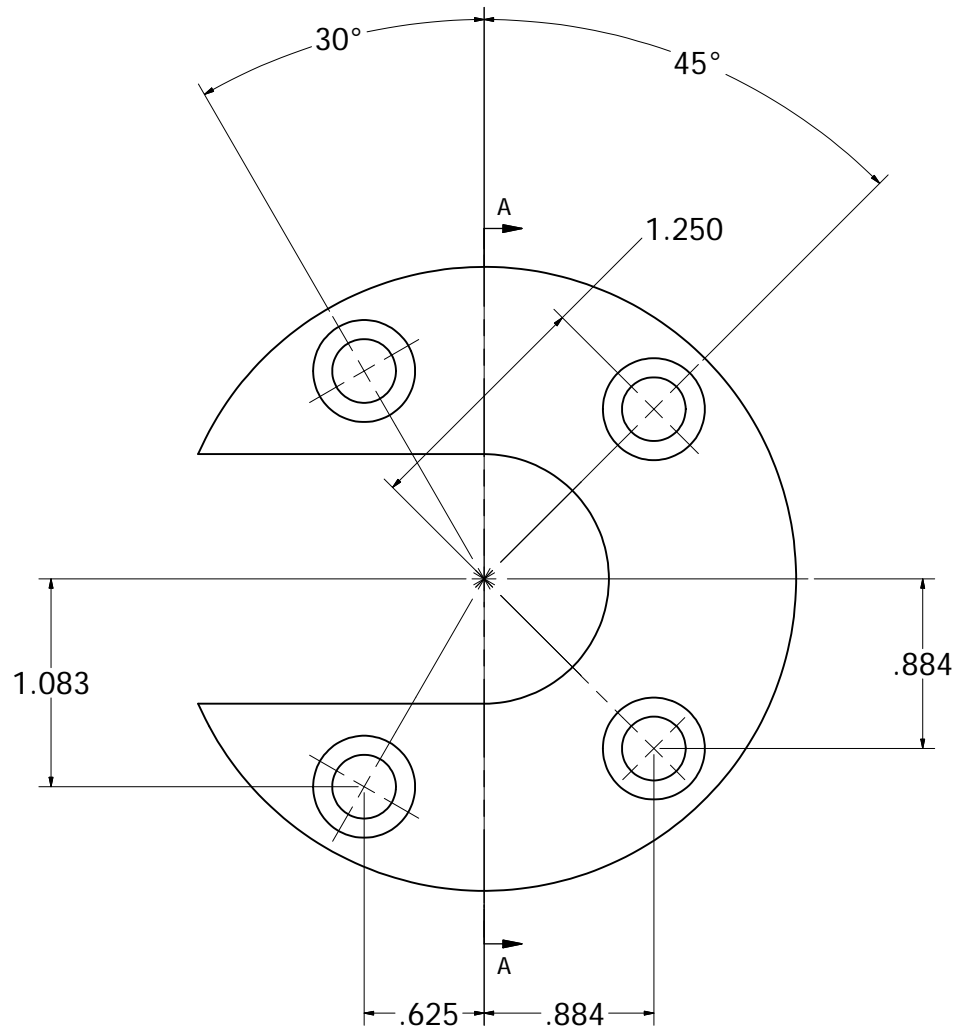


SECTION A-A
SCALE 2



Notes

1. REMOVE ALL: BURRS & POLISH ALL SHARP EDGES
2. ALL SPECIFIED TOLERANCES ARE CRITICAL, ALL OTHERS +/-0.005

POWER PRODUCTS INC.

97 AIRPORT RD BOX 17
 PARRY SOUND, ONT
 P2A 2W8 CANADA
 TEL 705-378-9090
 FAX 705-378-9191
 sales@powerproductsinc.com
 www.powerproductsinc.com

DRAWN Nick Sallinen	2/10/2010	POWER PRODUCTS INC.
CHECKED Nick Sallinen	2/10/2010	PROJECT ALIGNMENT COUPLER
DRAWING REV. A		TITLE AC1 - Permanent Ring
MODEL REV. A		AC1-RingQuick-SignOff-RevA
Steel		SHEET 1 OF 1