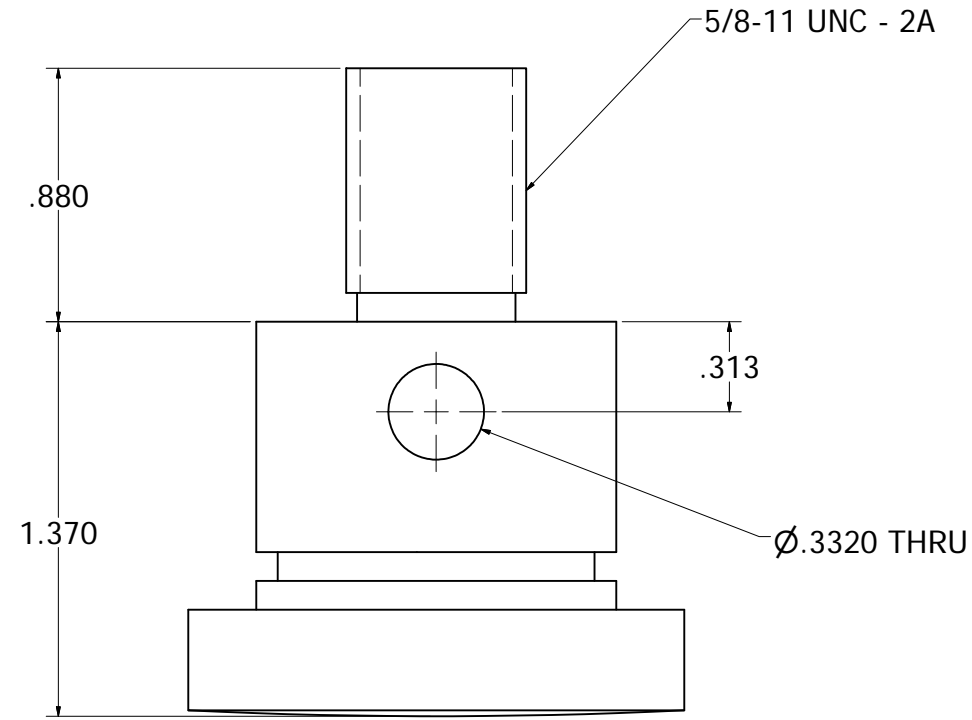


Use O-Ring 121 to help align stud and ring for first install.

Works with:
 AC1 - Permanent Ring
 AC1 - Quick Change Ring



Notes
 1. REMOVE ALL: BURRS & POLISH ALL SHARP EDGES
 2. ALL SPECIFIED TOLERANCES ARE CRITICAL, ALL OTHERS +/-0.005

POWER PRODUCTS INC.
 97 AIRPORT RD BOX 17
 PARRY SOUND, ONT
 P2A 2W8 CANADA
 TEL 705-378-9090
 FAX 705-378-9191
 sales@powerproductsinc.com
 www.powerproductsinc.com

DRAWN Nick Sallinen	2/10/2010	POWER PRODUCTS INC.
CHECKED Nick Sallinen	2/10/2010	PROJECT ALIGNMENT COUPLER
DRAWING REV. A		TITLE AC1 - Stud Coarse Thread
MODELS Steel, High Strength Low Alloy		AC1-Stud-CoarseThread-SignOff-RevA SHEET 1 OF 1