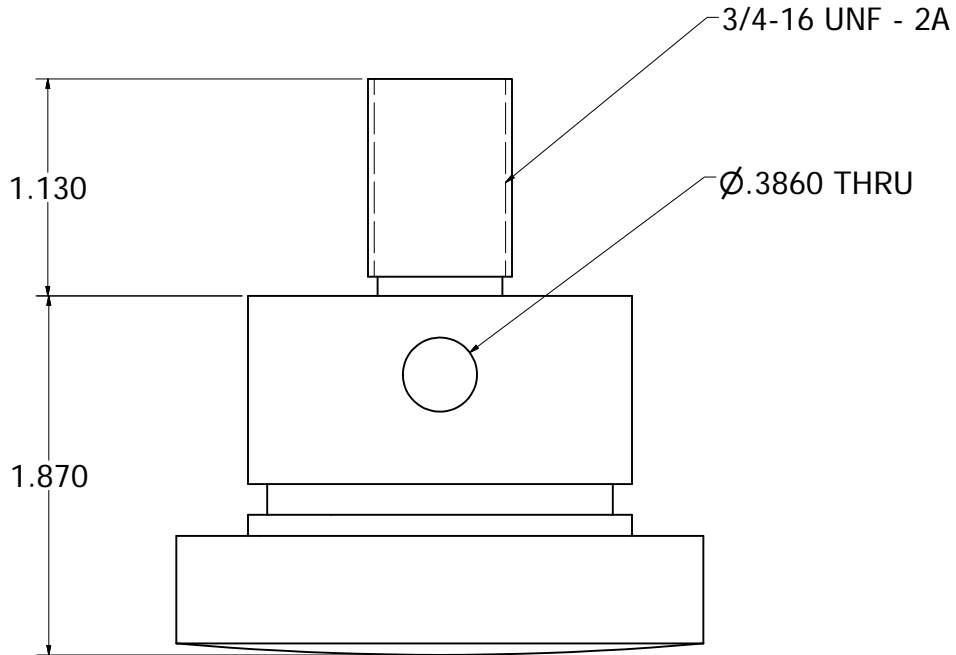


Use O-Ring 224 to help align stud and ring for first install.

Works with:
 AC3 - Permanent Ring
 AC3 - Quick Change Ring
 AC3 - Original Permanent Ring



Notes
 1. REMOVE ALL: BURRS & POLISH ALL SHARP EDGES
 2. ALL SPECIFIED TOLERANCES ARE CRITICAL, ALL OTHERS +/-0.005

POWER PRODUCTS INC.
 97 AIRPORT RD BOX 17
 PARRY SOUND, ONT
 P2A 2W8 CANADA
 TEL 705-378-9090
 FAX 705-378-9191
 sales@powerproductsinc.com
 www.powerproductsinc.com

DRAWN Nick Sallinen		2/2/2010	POWER PRODUCTS INC.	
CHECKED Nick Sallinen		2/2/2010	PROJECT	ALIGNMENT COUPLERS
DRAWING REV.		A	TITLE	
MODELS		Steel, High	AC2 - Stud	
Strength Low Alloy		AC2-Stud-SignOff-RevA	SHEET 1 OF 1	