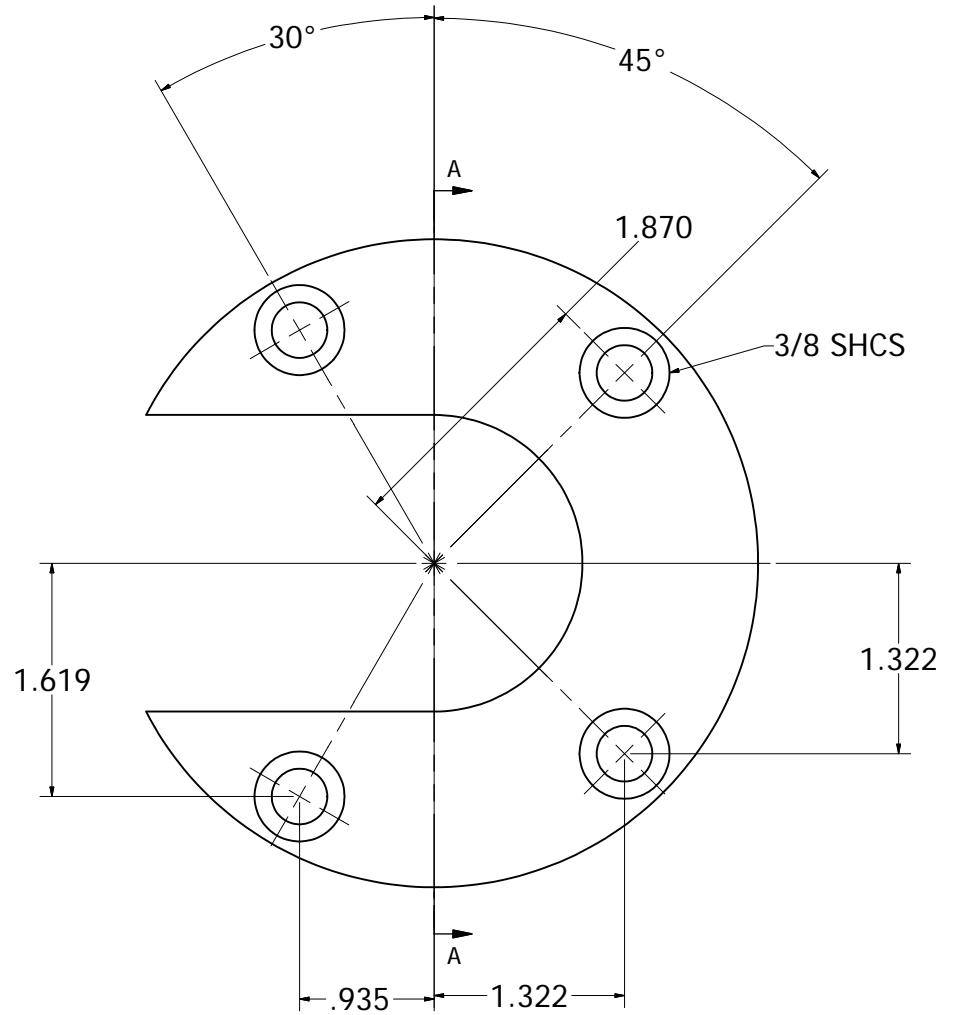


SECTION A-A
SCALE 1.5



Notes

1. REMOVE ALL: BURRS & POLISH ALL SHARP EDGES
2. ALL SPECIFIED TOLERANCES ARE CRITICAL, ALL OTHERS +/-0.005

POWER PRODUCTS INC.

97 AIRPORT RD BOX 17
 PARRY SOUND, ONT
 P2A 2W8 CANADA
 TEL 705-378-9090
 FAX 705-378-9191
 sales@powerproductsinc.com
 www.powerproductsinc.com

| | | | |
|--------------------------|----------|----------------------------|----------------------------|
| DRAWN Nick Sallinen | 2/2/2010 | POWER PRODUCTS INC. | |
| CHECKED Nick Sallinen | 2/2/2010 | PROJECT | ALIGNMENT COUPLERS |
| DRAWING REV. | A | TITLE | |
| MODEL REV. | A | AC3 - Quick Ring | |
| Steel | | AC3-RingQuick-SignOff-RevA | SHEET 1 OF 1 |