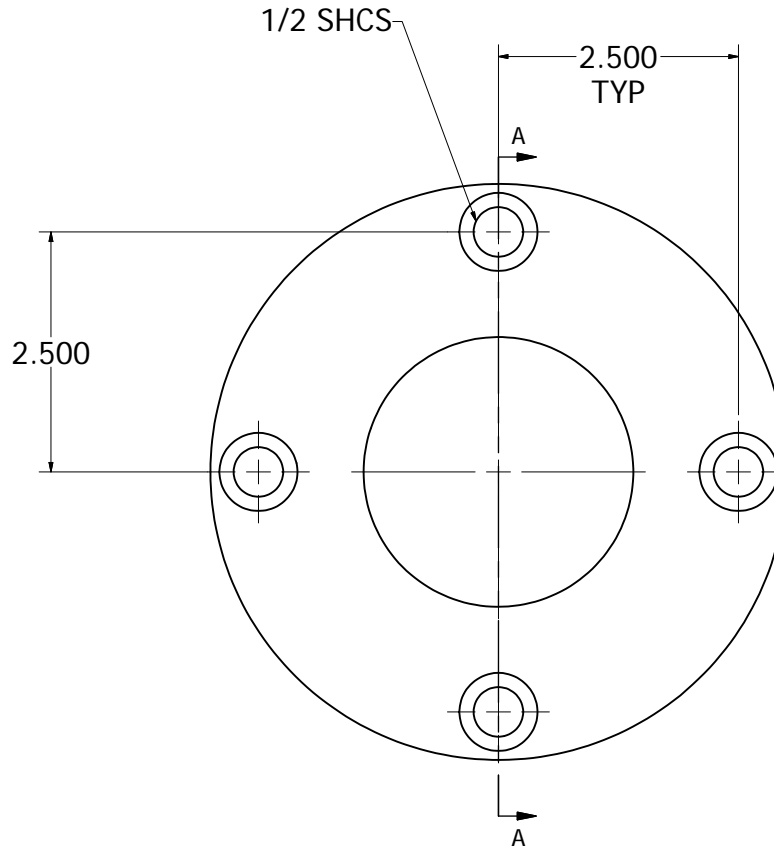


SECTION A-A
SCALE 1 : 1



- Notes
 1. REMOVE ALL: BURRS & POLISH ALL SHARP EDGES
 2. ALL SPECIFIED TOLERANCES ARE CRITICAL,
 ALL OTHERS +/-0.005

POWER PRODUCTS INC.

97 AIRPORT RD BOX 17
 PARRY SOUND, ONT
 P2A 2W8 CANADA
 TEL 705-378-9090
 FAX 705-378-9191
 sales@powerproductsinc.com
 www.powerproductsinc.com

DRAWN Nick Sallinen		2/2/2010	POWER PRODUCTS INC.	
CHECKED Nick Sallinen		2/2/2010	PROJECT	ALIGNMENT COUPLER
DRAWING REV.		A	TITLE	
MODEL REV.		A	AC4 -Original Permanent Ring	
Steel			AC4-OrigRing-SignOff-RevA	SHEET 1 OF 1