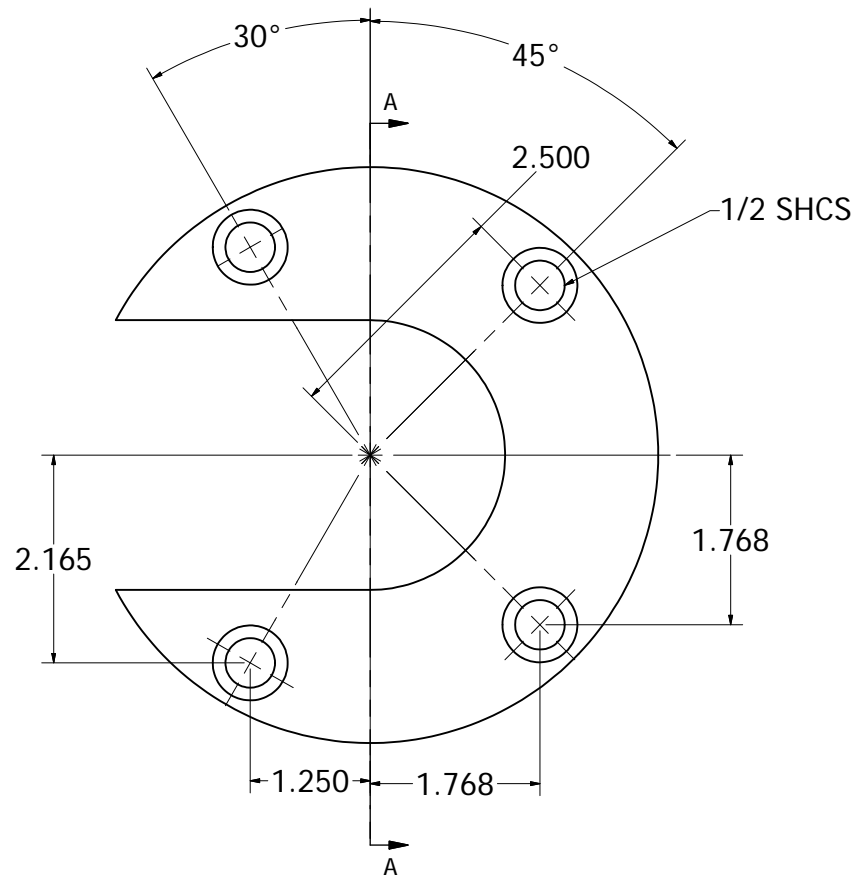


SECTION A-A
SCALE 1 : 1



- Notes
1. REMOVE ALL: BURRS & POLISH ALL SHARP EDGES
 2. ALL SPECIFIED TOLERANCES ARE CRITICAL, ALL OTHERS +/-0.005

POWER PRODUCTS INC.
 97 AIRPORT RD BOX 17
 PARRY SOUND, ONT
 P2A 2W8 CANADA
 TEL 705-378-9090
 FAX 705-378-9191
 sales@powerproductsinc.com
 www.powerproductsinc.com

DRAWN Nick Sallinen		2/2/2010	POWER PRODUCTS INC.	
CHECKED Nick Sallinen		2/2/2010	PROJECT	
DRAWING REV.		A	TITLE	
MODEL REV.		A	AC4 - Quick Change Ring	
Steel		AC4-RingQuick-SignOff-RevA		SHEET 1 OF 1