

4

3

2

1

D

D

C

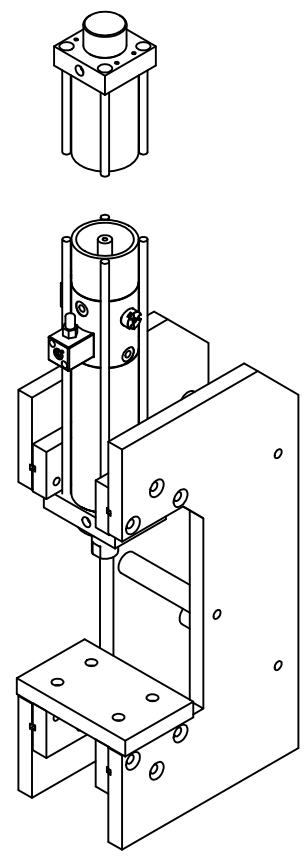
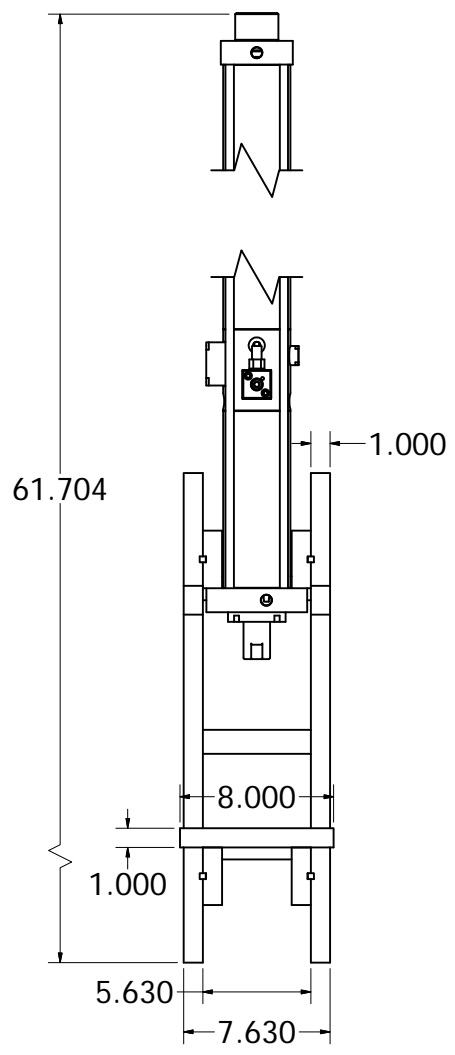
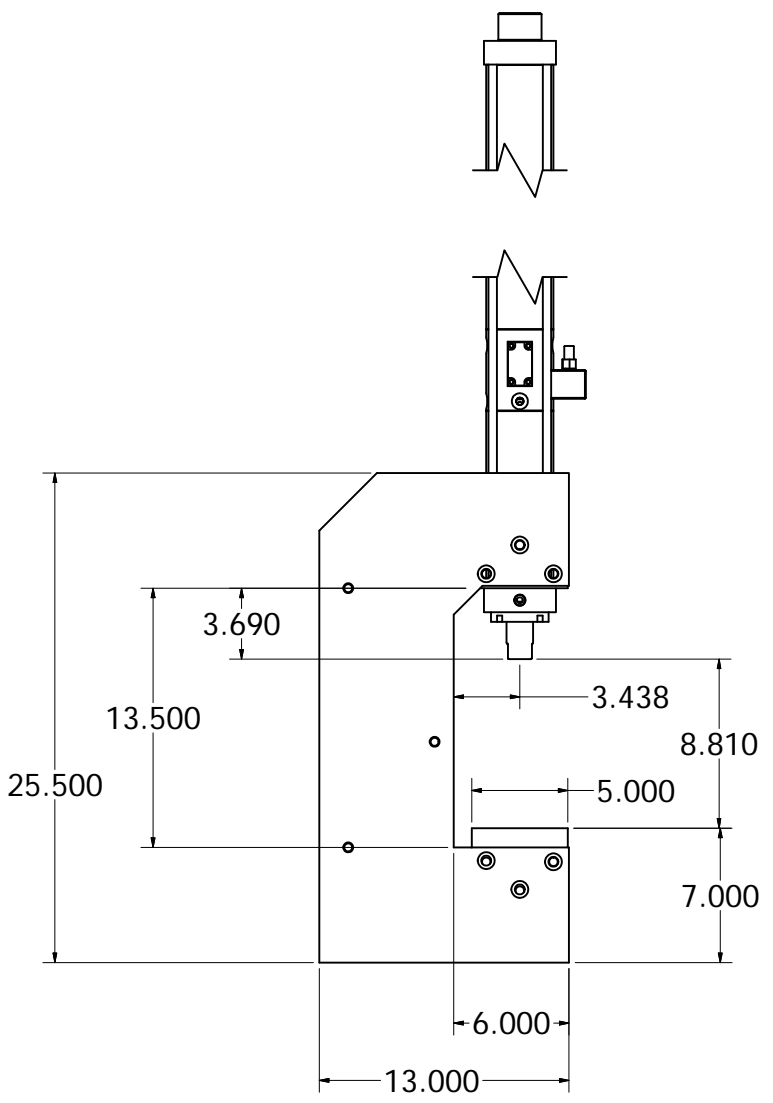
C

B

B

A

A



Notes
 1. REMOVE ALL: BURRS & POLISH ALL SHARP EDGES
 2. ALL SPECIFIED TOLERANCES ARE CRITICAL,
 ALL OTHERS +/-0.005

DRAWN Nick Sallinen	4/27/2010	POWER PRODUCTS INC.
CHECKED Nick Sallinen	4/27/2010	PROJECT C-Frame
DRAWING REV. A		TITLE 8 NMK 5 Ton 6 TS
MODEL REV. A		AS-CFrame5Ton-6TS-SignOff
		SHEET 1 OF 1

4

3

4

2

1