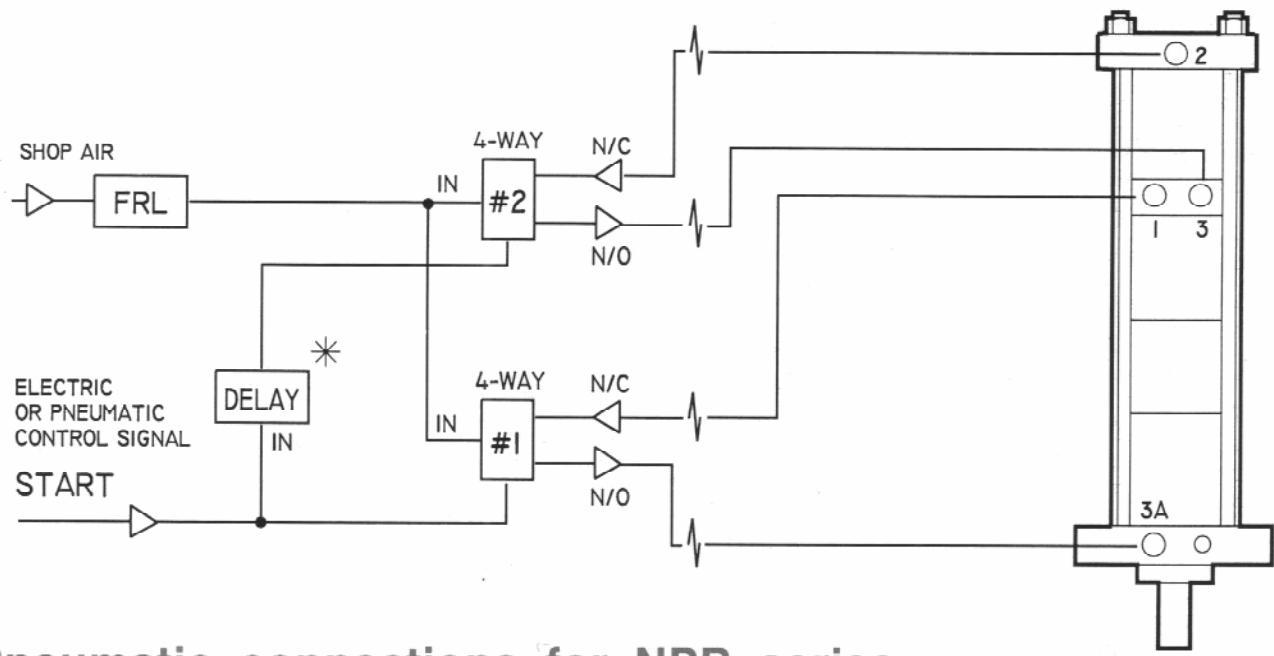
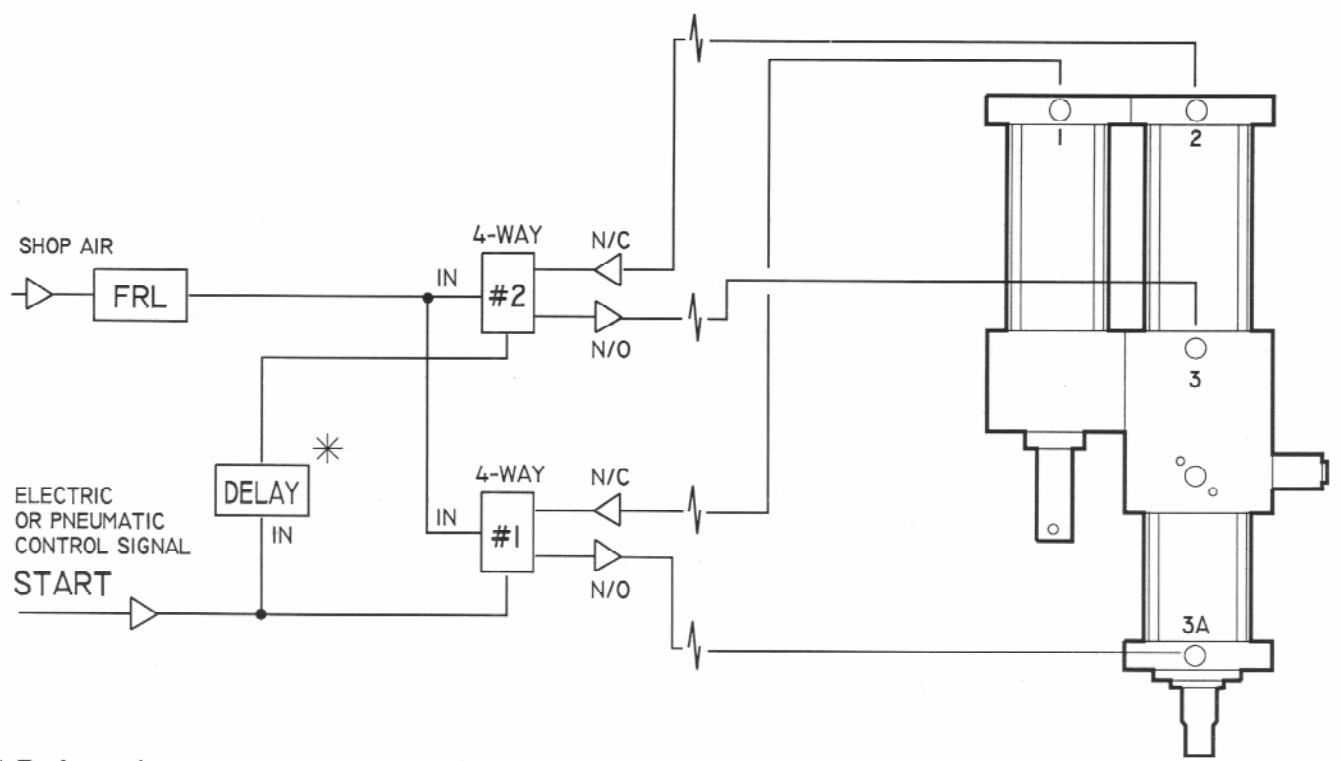


Pneumatic Hook-up of Power Products Cylinders

Pneumatic connections for MK series



Pneumatic connections for NPB series



* **Delay:** there are many ways to initiate the high pressure stroke such as time, pressure or position. The sequence must be low pressure approach first, and then high pressure.